

Table of Contents

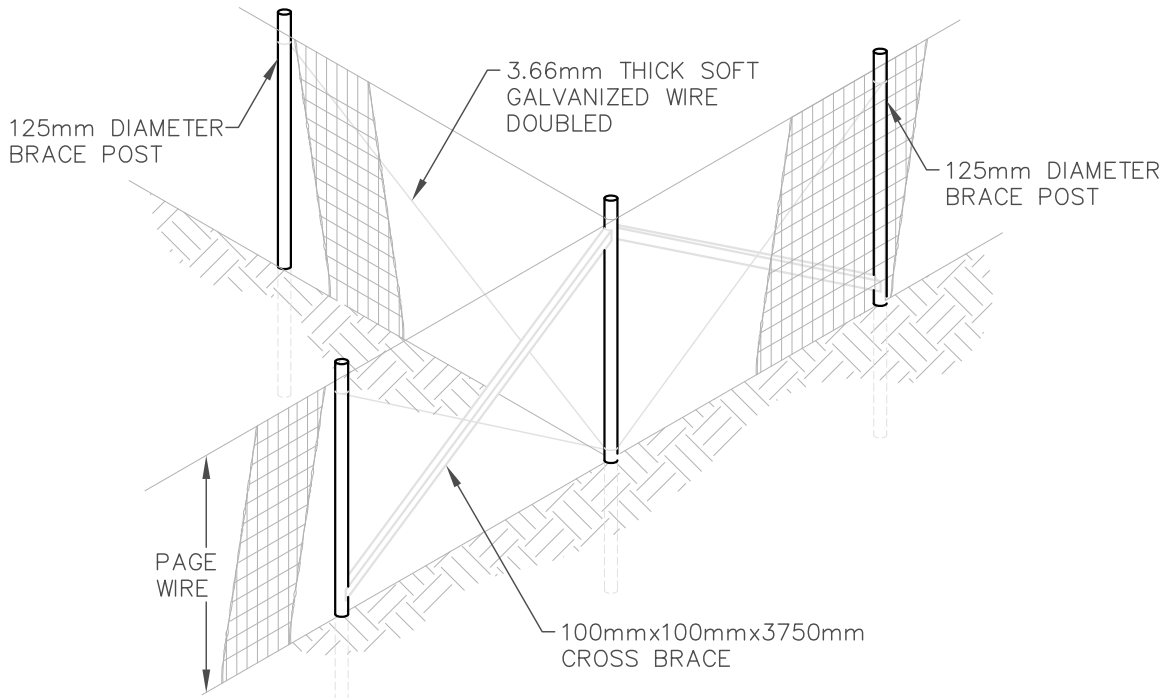
D-1 PAGE WIRE FENCE ELEVATION AND DETAILS1

D-2 PAGE WIRE FENCE SPACING AND DETAILS2

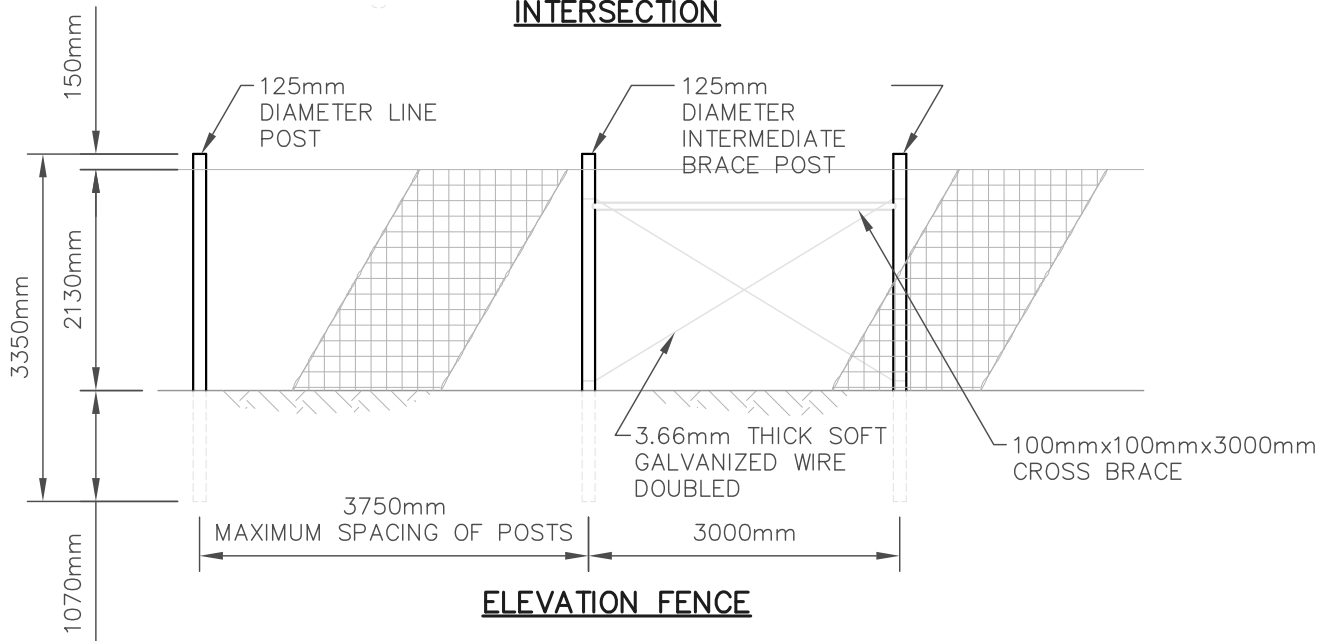
D-3 POSITION OF FENCE POSTS3

D-4 PIPE RAIL FENCE4

D-5 TYPICAL CHAIN LINK FENCE GATE DETAILS5



INTERSECTION



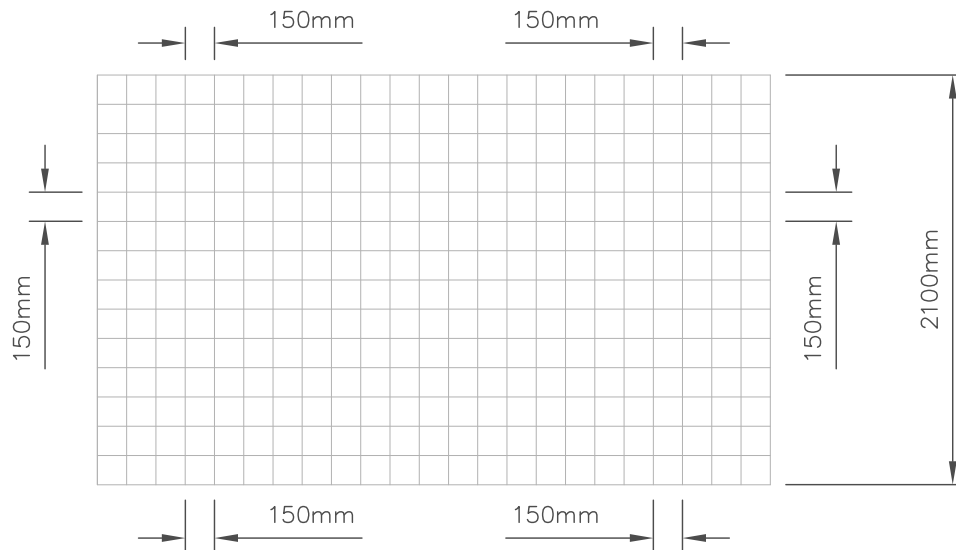
NOTES:

1. ALL FENCE POSTS SHALL BE PRESSURE TREATED.
2. BUTT ENDS OF POSTS SHALL BE PLACED DOWN.
3. ADJACENT ROLLS OF PAGE WIRE TO BE JOINED AT POST LOCATIONS.
4. 40mm STAPLES TO BE SPACED 152mm INTERVALS SO THAT EACH LINE WIRE IS FIRMLY ATTACHED TO THE FENCE POST.
5. NOMINAL DIMENSIONS FOR PAGE WIRE SHOWN.
6. SPACING OF BRACE ASSEMBLIES:
ON TANGENT – 200m MAXIMUM
ON CURVES – 100m MAXIMUM

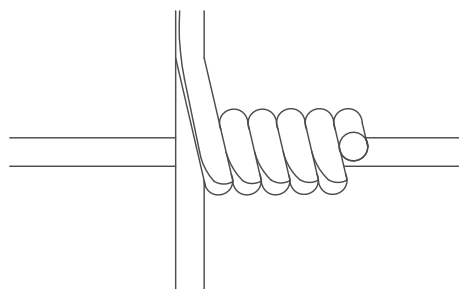
I	03/04/17
REVISION	DATE



PAGE WIRE FENCE ELEVATION AND DETAILS		
SCALE	DRAWN BY	DRAWING NUMBER
NTS	BMaier	
DATE	APRIL 3, 2017	
		D-1



PAGE WIRE FENCE SPACING



HINGE LOCK KNOT DETAIL

1:1

NOTES:

1. ALL FENCE POSTS SHALL BE PRESSURE TREATED.
2. BUTT ENDS OF POSTS SHALL BE PLACED DOWN.
3. PAGE WIRE FENCE WIRES TO BE SPACED AS SHOWN ABOVE WITH 3.66mm THICK GALVANIZED WIRE USED THROUGHOUT.
4. LINE AND STAY WIRES TO BE JOINED THROUGHOUT WITH HINGE-LOCK KNOT CONSTRUCTION (SEE DETAIL)
5. ADJACENT ROLLS OF PAGE WIRE TO BE JOINED AT POST LOCATIONS.
6. 40mm STAPLES TO BE SPACED 152mm INTERVALS SO THAT EACH LINE WIRE IS FIRMLY ATTACHED TO THE FENCE POST.
7. NOMINAL DIMENSIONS FOR PAGE WIRE SHOWN.
8. SPACING OF BRACE ASSEMBLIES:
ON TANGENT – 200m MAXIMUM
ON CURVES – 100m MAXIMUM

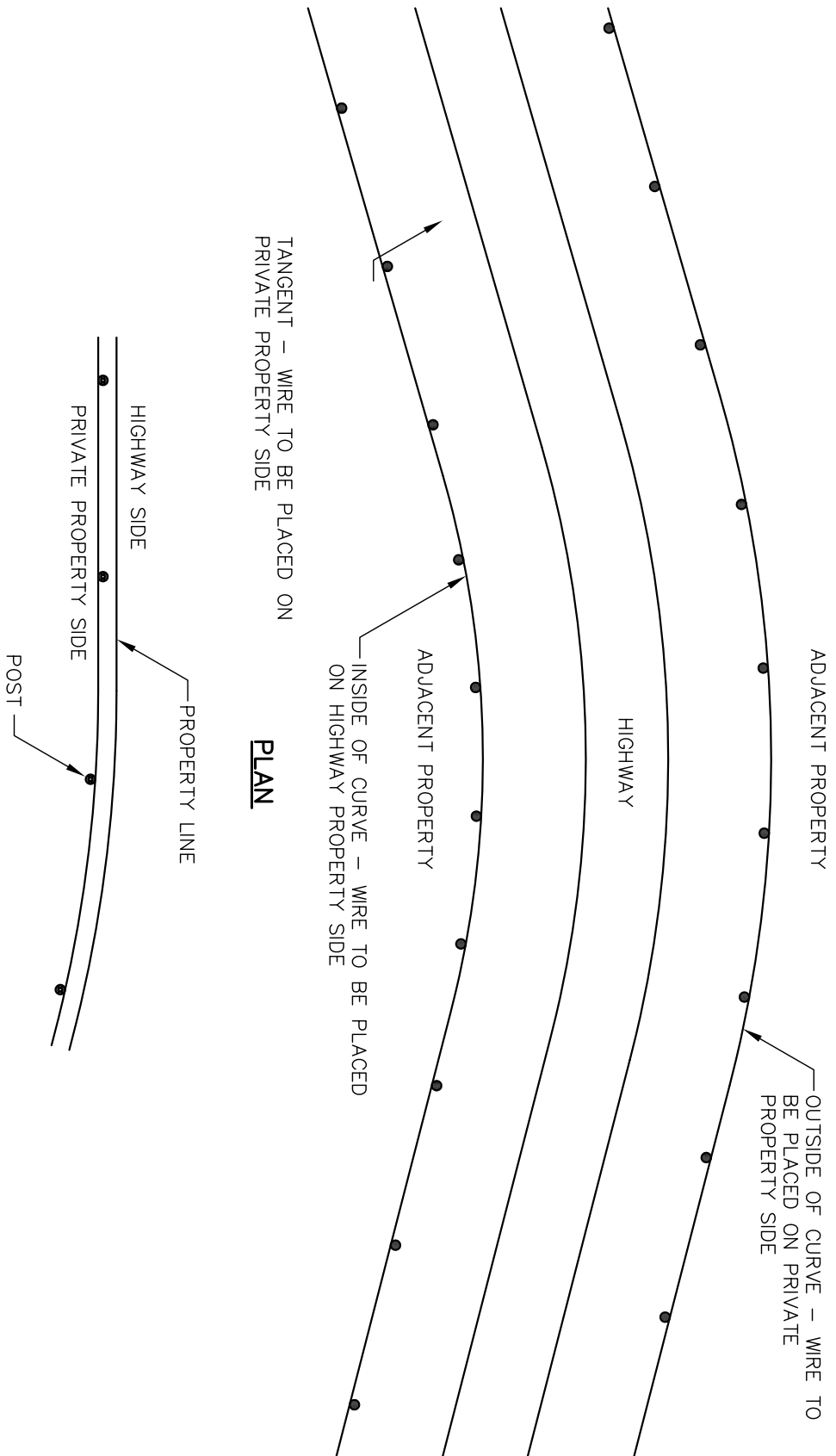
I	03/04/17
REVISION	DATE



PAGE WIRE FENCE SPACING AND DETAILS

SCALE	DRAWN BY
NTS	BMaier
DATE	APRIL 3, 2017

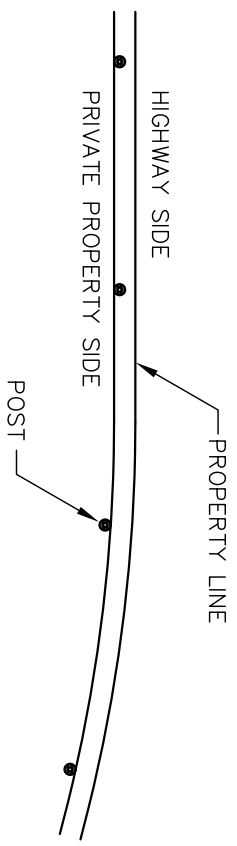
DRAWING NUMBER **D-2**



TANGENT - WIRE TO BE PLACED ON PRIVATE PROPERTY SIDE

PLAN

FENCE POST DETAIL
 SHOWING POSITION OF POSTS IN RELATION TO PROPERTY LINE



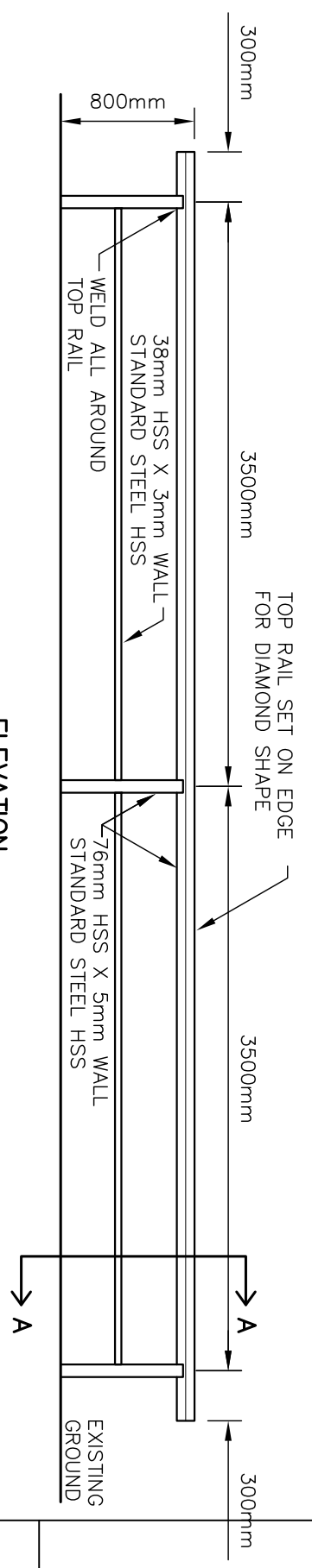
NOTE:
 LEGAL SURVEY MONUMENTS ARE NOT TO BE DAMAGED OR RELOCATED TO ACCOMMODATE FENCE INSTALLATION

REVISION	DATE
1	03/04/17

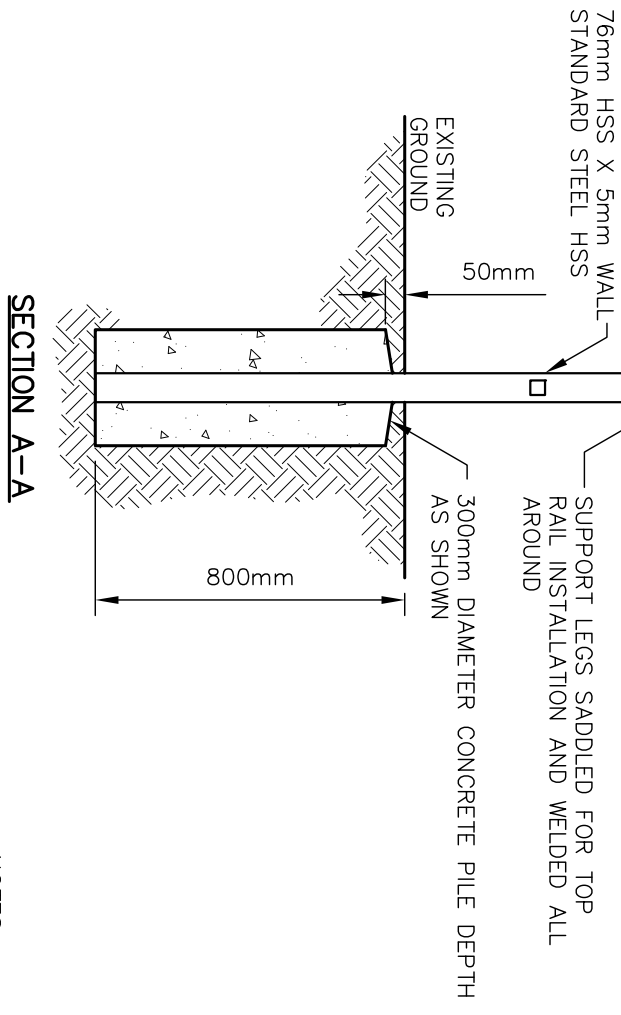
POSITION OF FENCE POSTS

PROJECT NUMBER
DRAWN BY
BMAIER
SCALE
NTS
DATE
APRIL 3, 2017
DRAWING NUMBER
D-3





ELEVATION



SECTION A-A

- NOTES:**
1. ALL WELDS TO BE GROUND SMOOTH;
 2. PAINTING SHALL BE IN ACCORDANCE WITH THE C.P.C.A. (CANADIAN PAINTING CONTRACTORS ASSOCIATION) MANUAL FORMULA 12A.
 3. ALL EXPOSED SURFACES ABOVE GRADE SHALL BE PRIMED BEFORE PAINTING.
 4. ALL PAINT COLORS TO BE APPROVED BY THE COUNTY PRIOR TO APPLICATION.
 5. ALL OPEN ENDS MUST BE CAPPED WITH 4.76mm PLATE.

REVISION	DATE

PIPE RAIL FENCE DETAILS

PROJECT NUMBER

DRAWN BY
BMAIER

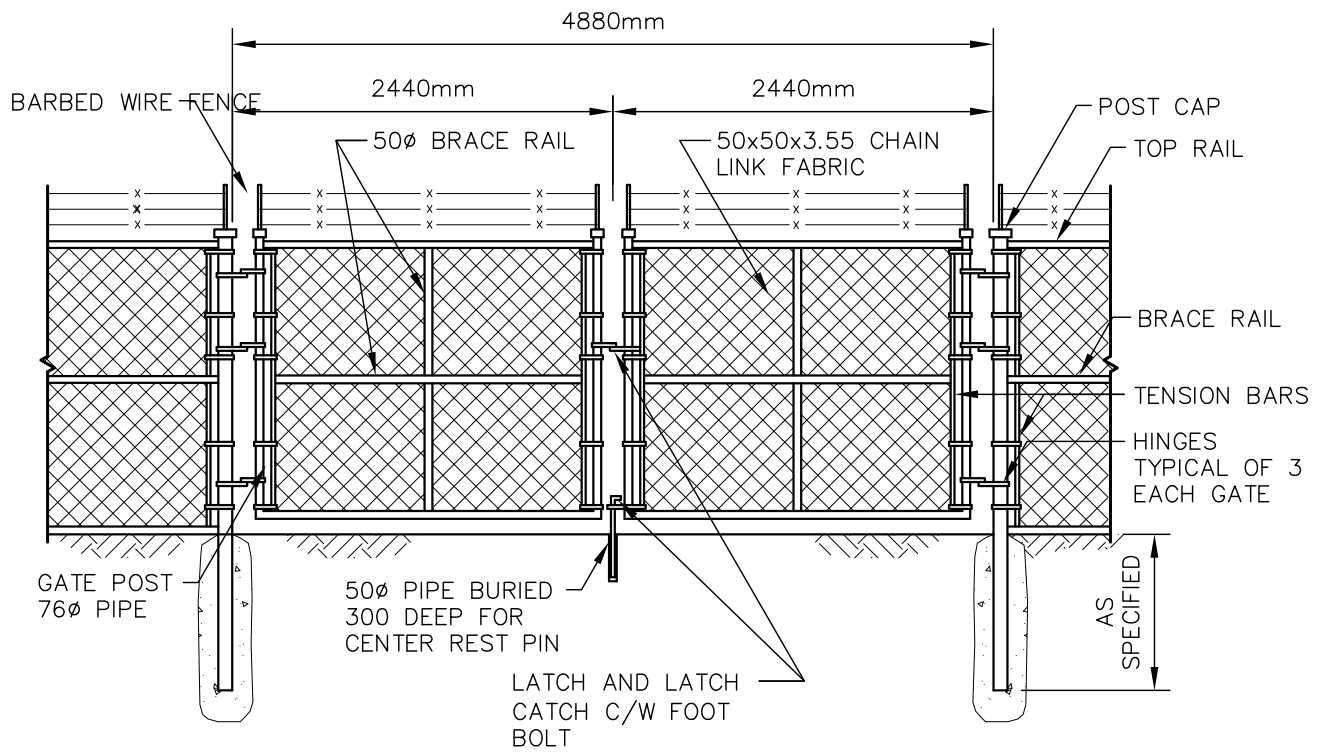
SCALE
NTS

DATE
APRIL 3, 2017

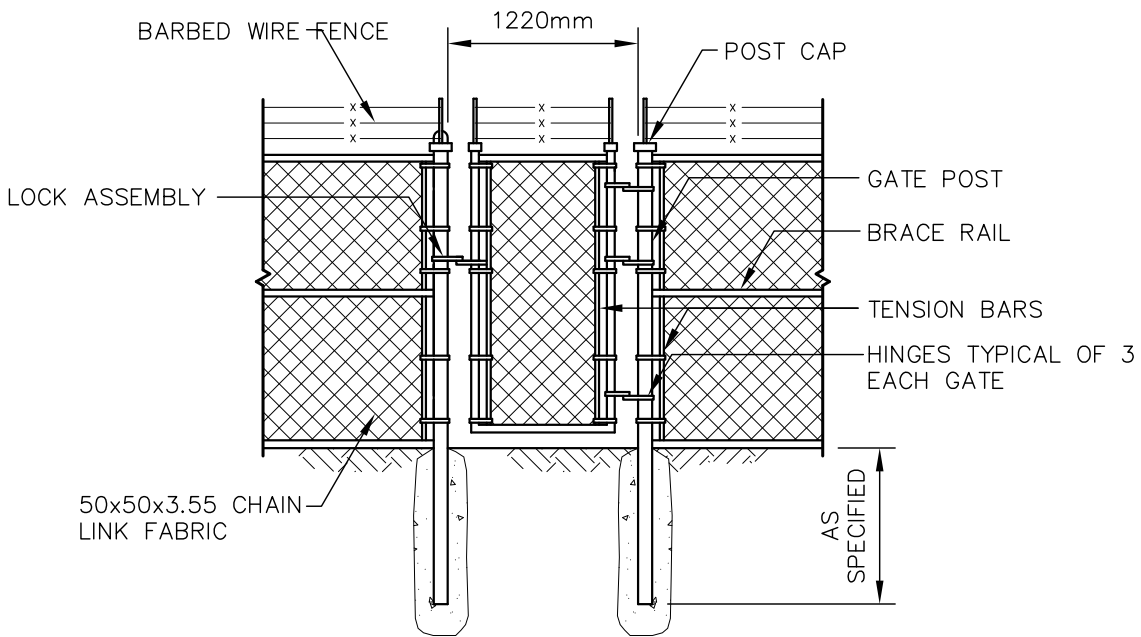
DRAWING NUMBER

D-4






CHAIN LINK FENCE VEHICLE GATE



CHAIN LINK FENCE PEDESTRIAN GATE

			TYPICAL CHAIN LINK FENCE GATE DETAILS	
			SCALE	DRAWN BY
I	03/04/17		NTS	BMAIER
REVISION	DATE	DATE	APRIL 4, 2017	DRAWING NUMBER D-5